

Features

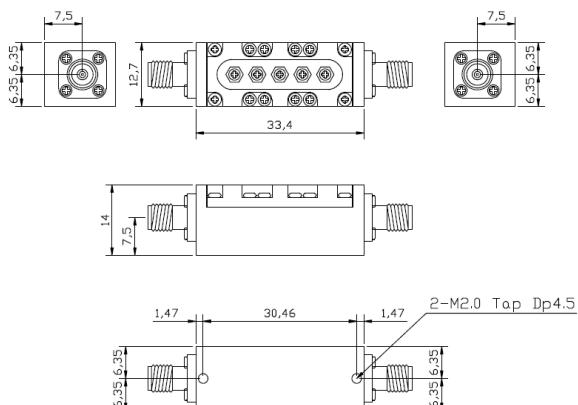
- Cavity Band Pass Filter (7,625 MHz ~ 7,675 MHz)
- Very compact size and low weight
- Typical 0.8 dB Insertion Loss



Specifications

| Parameter | Specifications | Remarks |
|-------------------------|---------------------|----------------------|
| Frequency Range | 7,625 ~ 7,675 MHz | BW : 50 MHz |
| Center Frequency | 7,650 MHz | |
| Insertion Loss (Max.) | 1.0 dB | |
| Pass Band Ripple (Max.) | 0.5 dB | |
| Return Loss (Min.) | 15.0 dB | |
| Rejection (Min.) | 48 dBc @ 8,400 MHz | |
| In/ Out Impedance | 50 Ω | |
| Handling Power (Max.) | CW 10 W | |
| Operating Temperature | -40 °C ~ +85 °C | |
| Dimensions | 33.4 * 12.7 * 14 mm | Excluding Connectors |
| Connector | SMA (Female) | |

Outline drawing



Typical Response

